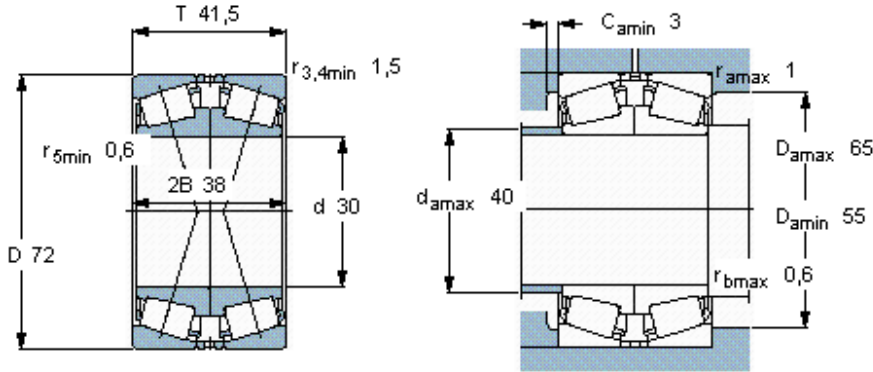


Tapered roller bearings, single row, paired face-to-face

Principal dimensions			Basic load ratings		Speed ratings		Designation
d	D	T	dynamic C	static C0	Reference speed	Limiting speed	
mm			kN		r/min		* SKF Explorer bearing
30	72	41,5	80,9	100	5300	9500	- 31306 J2/QDF



Calculation factors

e 0,83
 Y_1 0,81
 Y_2 1,2
 Y_0 0,8